

## Thermo-Flash - Finlock Gutters

"Insulated and Weatherproofed in one unique solution"



### Existing Problem

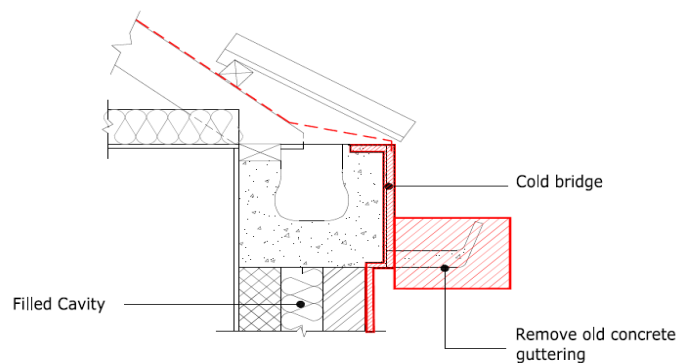
Finlock gutters were installed in 1000's of homes during the 1960's. Their main aim was to close off the cavity and provide a simple and effective guttering system to homes.

Over the past number of years these guttering systems have caused many problems within many homes such as;

- Joint Cracking.
- Subsequent Water Ingress Problems.
- Cracks in Plaster.
- Mould growth where the wall meets the ceiling

### How is this caused?

These areas cause more of a problem during the winter as many home owners have the central heating switched on. As the Internal temperature increases from the central heating system the heat will rise and it will meet the cold surface at the Finlock gutters causing condensation to form and lead to mould growth in these areas. By introducing Thermo-flash we raise the internal temperature therefore reducing this risk of condensation & mould growth.

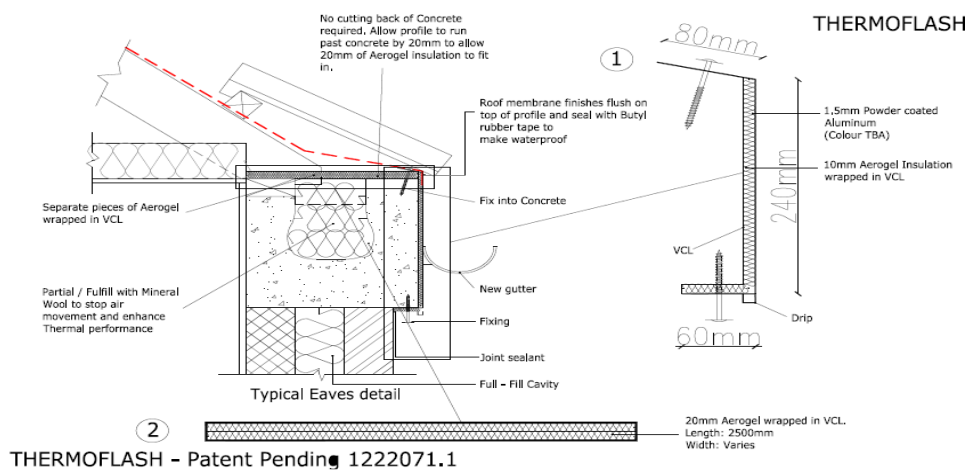


Existing Problem - Finlock gutters - Filled Cavity

## InstaGroup Solution

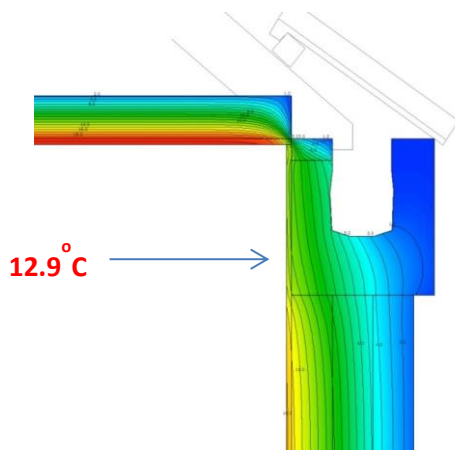
Traditionally people would just remove these Finlock gutters, but this can be very expensive and cause a lot of disruption to the homeowner. At the INSTAGROUP we have developed a solution which is insulated and weatherproofed in one unique solution. The Solution comprises of 2 components.

1. The first component comprises of 10mm high performance Spaceloft Aerogel Insulation wrapped in a VCL and a 1.5mm robust powder coated Aluminium profile which can be directly fixed into the concrete and sealed with a butyl rubber tape to make waterproof.
2. The second component comprises of 20mm of Aerogel wrapped in a VCL. This is in 2.5m lengths and can vary in size across the width.



## Thermal Graphics - Finlock

### Full Fill Cavity – Without ThermoFlash



Linear Thermal Transmittance

$$\Psi = 0.998 \text{ W/mK}$$

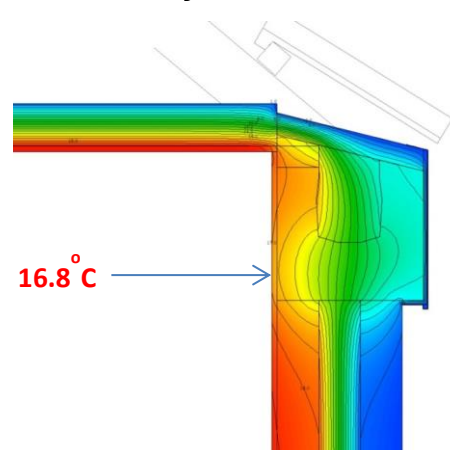
$$\text{FRsi} = 0.645$$

0



20°C

### Full Fill Cavity – With ThermoFlash



Linear Thermal Transmittance

$$\Psi = 0.361 \text{ W/mK}$$

$$\text{FRsi} = 0.840$$

By introducing Thermo-flash the linear thermal transmittance is reduced by over **60%** and the internal surface temperature is increased by **3.9°C** eliminating the risk of condensation creating a healthy indoor environment. The Temperature factor is now above 0.75.

For more information please call +44(0) 118 932 8811 or email [info@instagroup.co.uk](mailto:info@instagroup.co.uk)