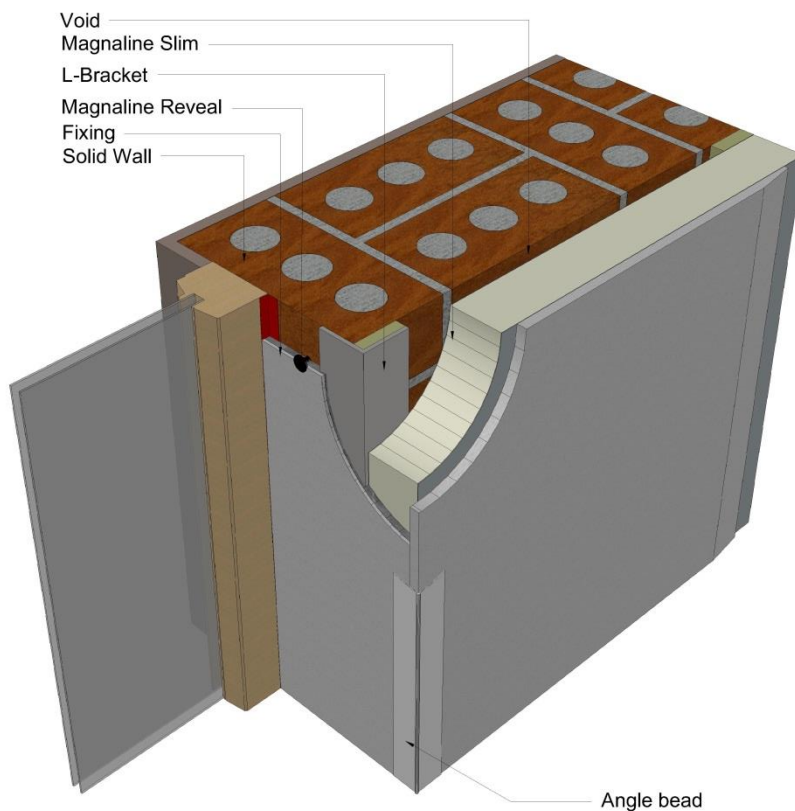


MAGNALINE REVEAL

Thermally Robust

INFORMATION & INSTALLATION GUIDE

MAGNALINE REVEAL INTERNAL WALL INSULATION



- R-value 0.80m²K/W
- Reduces heat losses through reveals.
- Reduces risk of condensation in internally homes and buildings.
- Reduces risk of mould growth
- Reduces risk of obscuring window function
- It increases the overall performance of your insulation upgrade



enviroform

The Problem

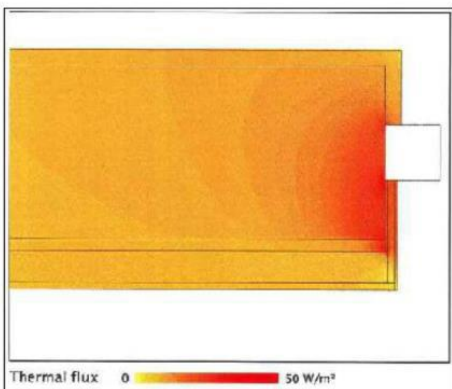
When installing internal wall insulation, the reveals around windows and doors are often left untreated due to lack of space to fit conventional insulation.

Failure to address these areas will lead to condensation, damp and mould related problems

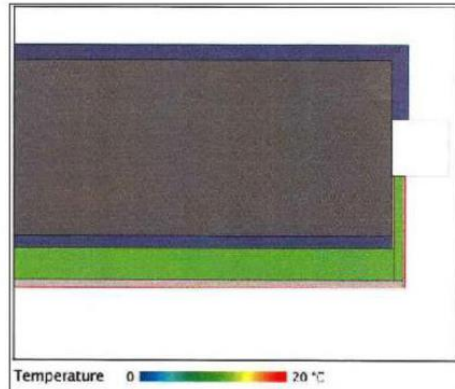


The Solution

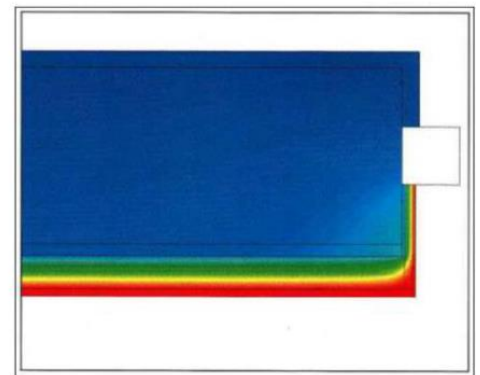
By combining Aerogel insulation, the worlds most efficient and thinnest Insulation Material, with an extremely robust 6mm Magnesium board, Enviroform solutions have developed a 16mm thick reveal board. Magnaline Reveal, with a thermal resistance of $0.8\text{m}^2\text{k/w}$, reduces the heat loss at these critical junctions to eliminate the risk of condensation and mould related problems.



Magnaline Reveal Thermal Flux image



Magnaline Reveal Temperature Image



Linear thermal transmittance	Temperature factor
$\Psi = 0.081 \text{ W/mK}$ (DEAP)	$f_{Rsi} = 0.875$
$\Psi = 0.086 \text{ W/mK}$ (FIBRE)	

Magnaline Reveal Thermal Image



REVEAL

Information & Installation Guide

Product

Magnaline reveal, is supplied in two different formats

Type I-

16mm x 1200mm x 2400mm

Type I does **NOT** contain a vapour control layer and is used with a Vapour open (VO) System



Type II-

16mm x 1200mm x 2400mm

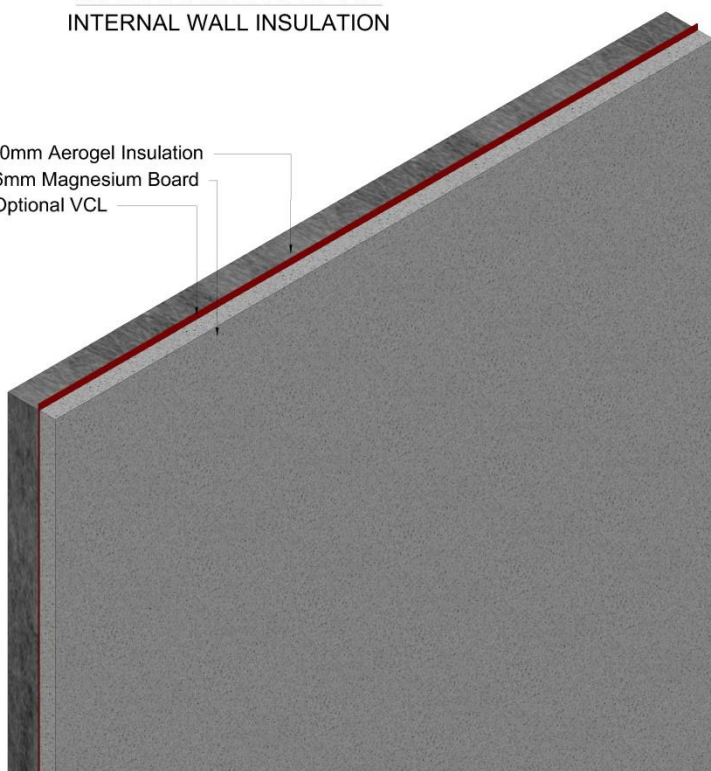
inc VCL

Type II has an integrated vapour control layer and used when installing a Vapour Tight (VT) System



MAGNALINE REVEAL INTERNAL WALL INSULATION

10mm Aerogel Insulation
6mm Magnesium Board
Optional VCL



Key Benefits

- R-value 0.80m²K/W
- Reduces heat losses through reveals.
- Reduces risk of condensation
- Reduces risk of mould growth
- Does not cover window frame
- Adds to the overall performance of your insulation upgrade

REVEAL

Information & Installation Guide



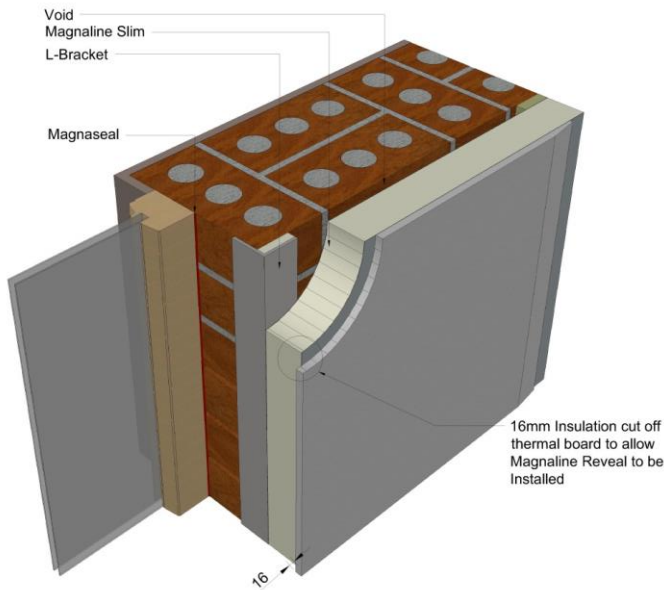
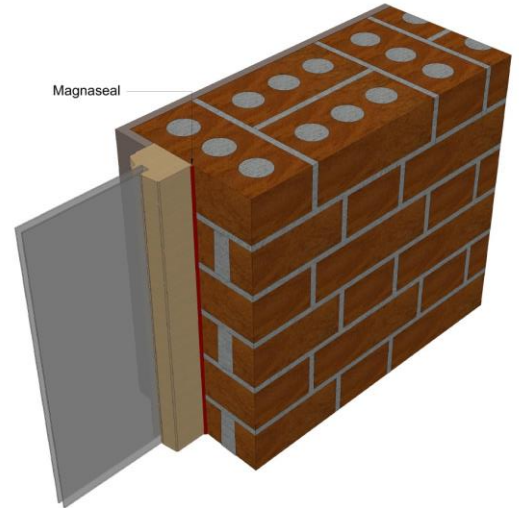
enviroform
www.enviroformsolutions.com

INSTALLATION STEPS

Step 1 Preparation

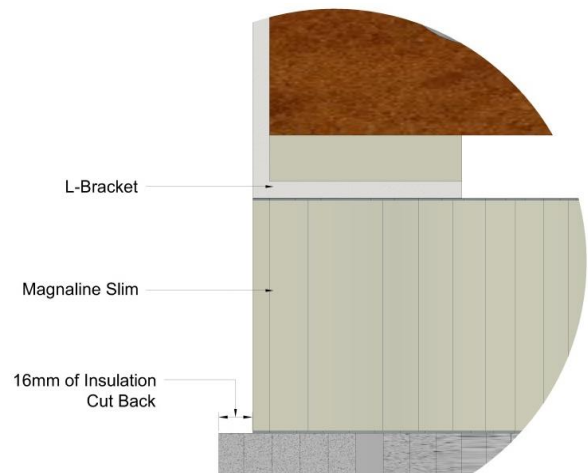
The Junction between the window frame and the wall, (as per the drawing) must be sealed using MagnaSeal.

This provides an Air and Vapour tight seal which is critical to the overall performance of the Install



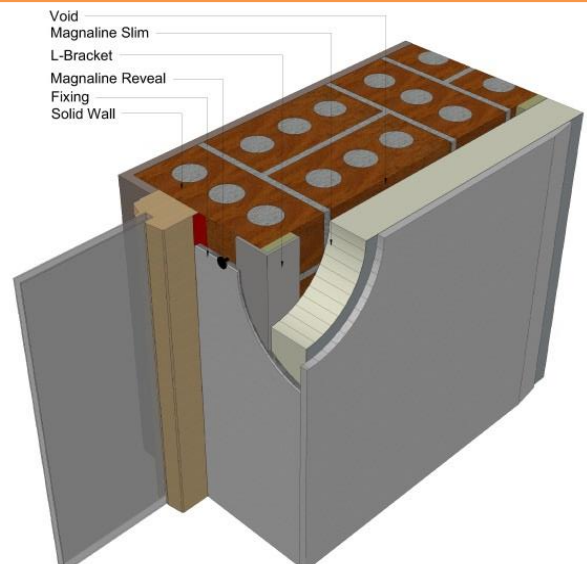
Step 2

16mm of the insulation on the back of the Thermal Laminate must be removed



Step 3

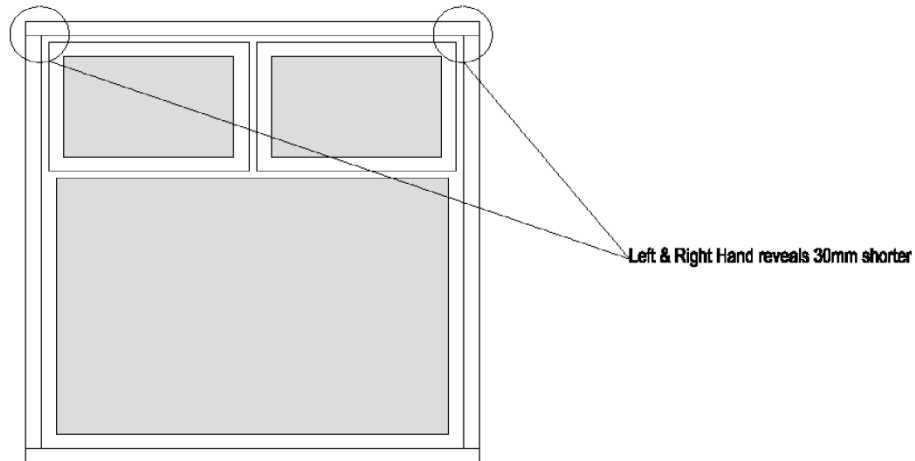
This Thermal Laminate is then fixed to the wall leaving the insulation flush with the edge of the existing reveal, and the board finishing 16mm into the window opening



REVEAL

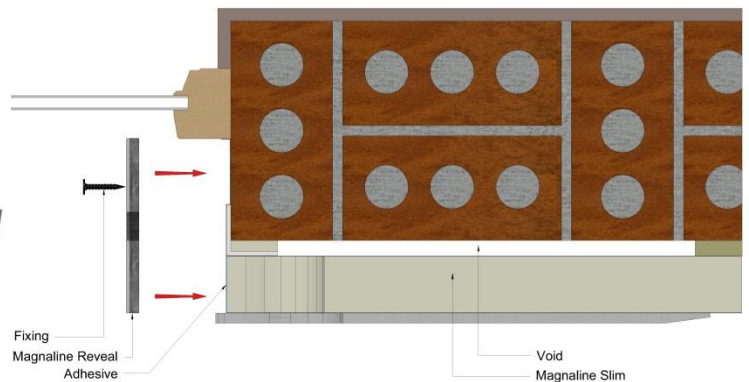
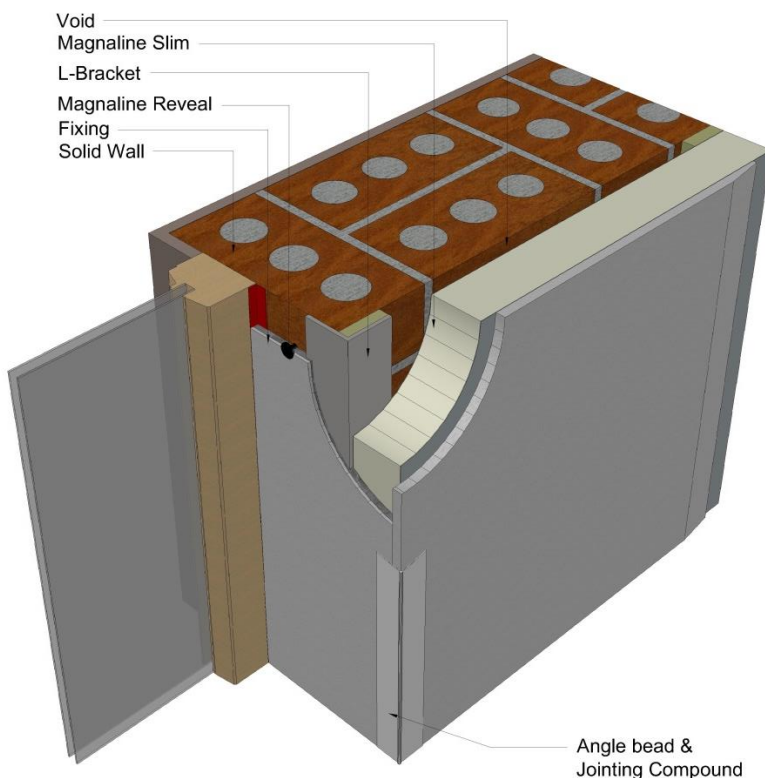
Information & Installation Guide

Step4 - Cutting



- Measure Internal dimensions of window/door opening
- Mark the length and width of the reveal to be cut
- Cut using circular saw or handsaw

MAGNALINE REVEAL INTERNAL WALL INSULATION



Step 5 - Fixing

- Fix Head & Sill Reveals before left and right hand side
- Adhesively and mechanically fix reveals in place using 50mm plastic insulation pins and MagnaFoam
- Apply angle bead, jointing compound and dryline as per standard detail.

TELEPHONE

+44 (0)28 4177 3314

EMAIL

info@enviroformsolutions.com



enviroform
www.enviroformsolutions.com

ADDRESS

16 Milltown Industrial Estate
Upper Dromore Road
Warrenpoint
Co Down
BT34 3PN